

Remote Controller for Vision

Magnetic stripe and RFID Remote Controller

The Remote Controller is fully compatible with VingCard electronic locking systems and provides access control on common doors, such as vehicle barriers, health clubs, conference suites, staff entrances, guest night entrances and more. Our Remote Controller is an advantageous supplement where regular locks are not suitable.



FEATURES

- : Backwards compatible with old VingCard readers.
- : Snap-on frame for flush mounting
- : All models come with a heating element for optimal operation in cold environments (optional to use).
- : Compatible with Vision system.
- : Standard cover plate is available to cover up old hole patterns.
- : Can be used in an online setup by installing a separate ethernet kit.
- : Online card cancellation.
- : Online audit trail.
- : Brass front covers are available in Satin and Polished Chrome and Satin and Polished Brass for a more exclusive design that match our lock finishes.

ASSA ABLOY

ASSA ABLOY Hospitality

The global leader in
door opening solutions

TECHNICAL DATA

Each complete unit, supplied individually packed, consists of

- 1) Remote Controller unit with reader and heating element.
- 2) Relay box.
- 3) 20 metres of communication cable for use between remote controller and relay box.

Additional parts Metal front in Satin- Chrome and Brass or Polished- Chrome and Brass.

Additional part needed for online functionality Ethernet kit including circuit board and relay box front.

Dimensions - surface mounted model
 Height: 170,5 mm / 6,71 inch.
 Width: 85,5 mm / 3,36 inch.
 Depth: 39 mm / 1,53 inch.

Dimensions - flush mounted model	Height	Width	Depth
Behind frame (in wall)	173 mm / 6,81 inch	88 mm / 3,46 inch	42 mm / 1,65 inch
Frame	195 mm / 7,67 inch	110 mm / 4,33 inch	3,5 mm / 0,13 inch
Outside frame (in room)	170,5 mm / 6,71 inch	85,5 mm / 3,36 inch	41,5 mm / 1,63 inch

Dimensions - RFID model
 Height: 170,5 mm / 6,71 inch.
 Width: 85,5 mm / 3,36 inch.
 Depth: 39 mm / 1,53 inch.

Electrical specifications

Supply voltage 12-24 VDC.

Supply current
 300 mA (24V, without heating element).
 650 mA (24V, with heating element).
 (Sum of Reader + Relay box) 350 mA (12V, without heating element).
 1050 mA (12V, with heating element).

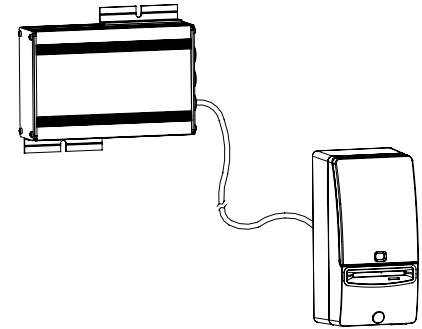
Load current, output 1 (Resistive load)
 Min. 0.1A @ 5VDC.
 Max. 5A @ 30VDC.

Load current, output 2 (Resistive load)
 Min. 1mA @ 5VDC.
 Max. 1A @ 30VDC.

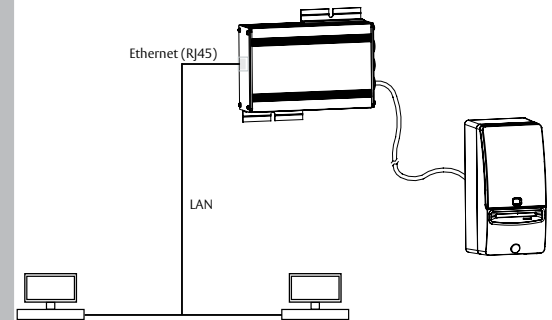
Environmental specifications for card reader
 Minimum: 0 C (without heating element),
 -30 C (with heating element).
 Maximum: 50 C (without heating element)
 50 C (with heating element).
 Humidity: Non condensing.

Other specifications
 Front cover color in RAL 7000.
 Housing color in RAL 9005.
 External power supply must be ordered in addition if needed.

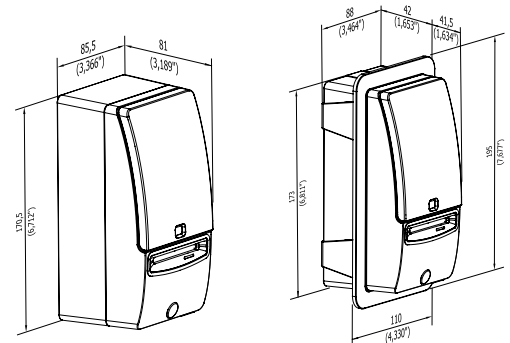
Typical Remote Controller installed:



Typical Remote Controller installed with ethernet kit:



Insertion LCU when surface mounted: Insertion LCU when flush mounted:



RFID LCU:

