

# Accessories

by VingCard®

## FEATURES:

### Door viewer

- : Easy to use. Bright image and large aperture.
- : Elegant low profile design.
- : Super wide 200°allround clear angle of view.
- : Glass lens cover will not scratch like plastic when cleaned.
- : Tarnish free finishes: Polished chrome, satin chrome, polished brass, satin brass or antique.
- : Superior precision laser cut optics eliminates distortion (fish-eye effect).

### Door retainer

- : Strong retainer arm made in Zamac ZL5 and reinforced screws offer a high tension resistance.
- : Easy to install.
- : Hidden screws and bolts.
- : The only retainer that can be pulled down to a vertical position when not in use, - prevents locking the door by accident (draught, children, domestic animals).
- : Available in 4 different finishes: polished chrome, satin chrome, polished brass, satin brass.

VingCard Accessories offer a wide range of security hardware to complement your hotel door locks. Properties can continue with the VingCard design throughout the facility with additional hardware in the same style and finish as the VingCard hotel lock.

Our membership in the ASSA ABLOY Group gives us access to many different quality products from a variety of companies.





## Door viewer

### Secure your guests

Our door viewer prevents entry of intruders and increases the guest's safety. A door viewer is a minimum requirement needed to identify strangers before opening your door to them. Once an intruder is in - it is too late.

### Replace old viewers

Just having any door viewer is not enough. It must be easy to maintain and provide a clear all round wide-angle image. VingCard's door viewer is suitable for replacing old viewers which have inadequate and narrow field of view. Replace the old viewers, which often have scratched plastic covers and reduced image brightness, with VingCard's door viewer.

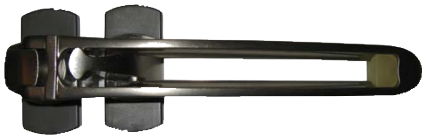


### Safety

VingCard recommends every guestroom to be equipped with our high quality door viewer. Suitable for all hotels, with or without VingCard locks installed.

### Easy to install

Precision machined brass barrel, which requires just one single hole.



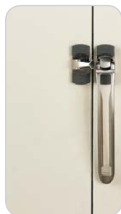
## Door retainer

### Secure your guests

Our door retainer prevents entry of intruders and increases the guest's safety. A door retainer is a minimum requirement needed to obtain safe identification from strangers at your door. Once an intruder is in - it is too late.



Mounted with adapter for rebated doors.



Door retainer in vertical position.

### Quality

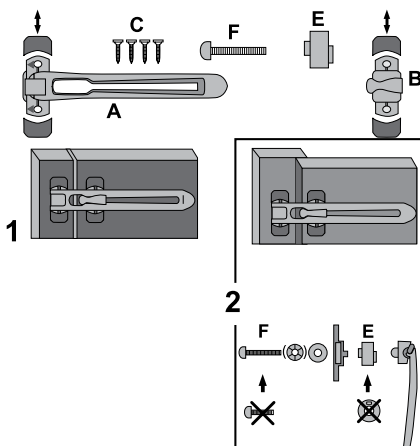
Just having a chain is not enough. Chains often get caught in an open door and can destroy the finish of the door and frame. With VingCard's door retainer this problem is avoided. It is easy to use with a strong construction that is impossible to unhook.

### Safety

VingCard recommends that every guestroom is equipped with our high quality door retainer. Suitable for all hotels, with or without VingCard locks installed.

### Easy to install

The door retainer can be fitted on flush doors or rebated (overlapping) doors simply by exchanging the removable ring. Installation is done in a few steps.



Installation for flush doors:

Mount retainer (A), arrows (◀) pointed towards door, and stopper (B) at the same level.

Attach plastic end caps.

Minimum gap between A and B: 5 mm:

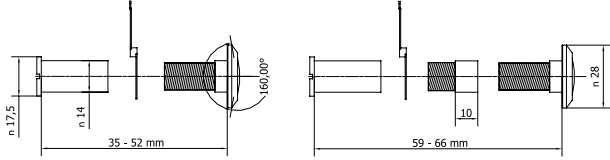
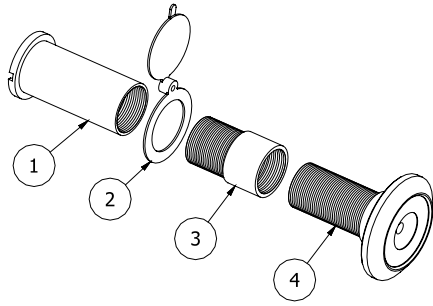
Installation for rebated (overlapping) doors:

Disassemble A (use Allen key no 4), exchange removable ring with (E) and re-assemble with screw (F) (fig. 2).

Then install as described for flush doors.



# Specifications



## Door viewer

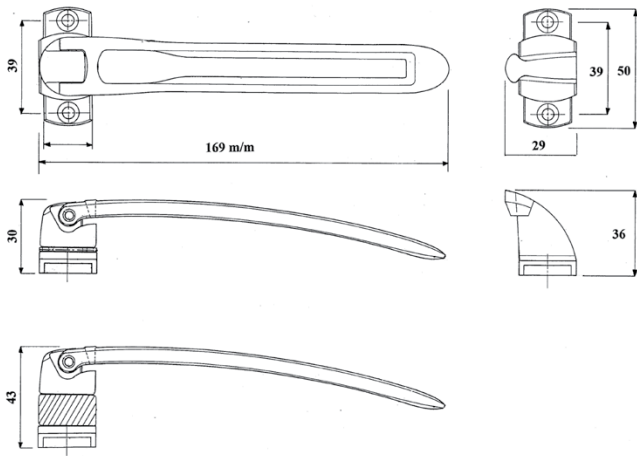
Each viewer is delivered individually packed and consists of:

- 30mm inner barrel for 35 to 52mm doors.
- Precision lens assembly

Extension parts must be ordered separately:

- Optional brass cover
- Optional extension for 60 to 66mm doors

One single hole required for easy installation.



## Door retainer

- One size only: 169 mm
- For installation: Drill 3.5 mm holes

